



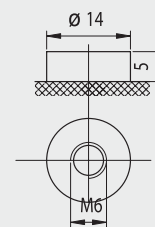
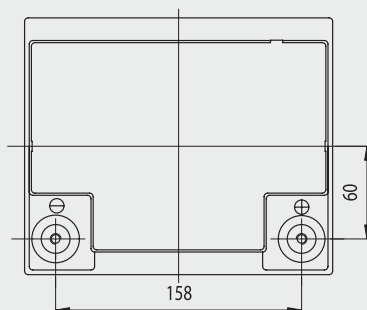
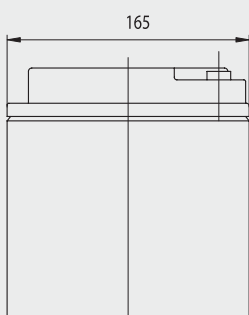
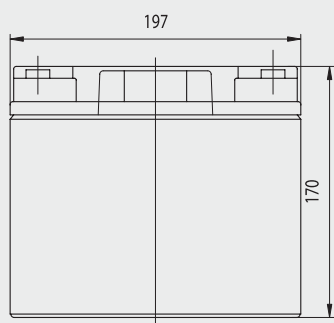
VRLA Battery **SPB 12-40**

Specifications

Nominal Voltage	12 V				
Rated Capacity (25 °C)	20hr Rate (1,80V/cell)	10hr Rate (1,80V/cell)	5hr Rate (1,70V/cell)	1hr Rate (1,60V/cell)	
	44 Ah	40 Ah	37,5 Ah	25,3 Ah	
Dimensions (mm) & Weight (kg)	Length	Width	Height	Overall Height	Weight
	197mm	165mm	170mm	170mm	13,50 kg
Number / Type of Terminals	2 / M6				

Technical Characteristics

Design Life at 20°C	10-12 years	
Eurobat Classification	High Performance	
Internal Resistance (Fully charged - 25°C)	9,5 mΩ	
Short-circuit current	900 A	
Max Charging Current	12 A	
Min safe end Discharge Voltage	1,60 V/cell	
Self discharge per month at 20°C	3%	
Recommended Charging Voltage at 20°C	Stand-by use (V/cell): 2,25 to 2,30	Cycle use (V/cell): 2,40 to 2,50
Container Material	ABS-UL94 HB	
Electrolyte Type	Sulfuric Acid	
Type of plates / Alloy	Flat plates / Lead-Calcium-Tin alloy	
Type of Separator	Absorbant Glass Mat	
Valve Type / Operational Pressure	Rubber / 1-3 psi (70-200 mbar)	
Operating Temperature Range	-20 to + 50°C	
Storage time at 20°C	9 months	



SUNLIGHT
creating energy