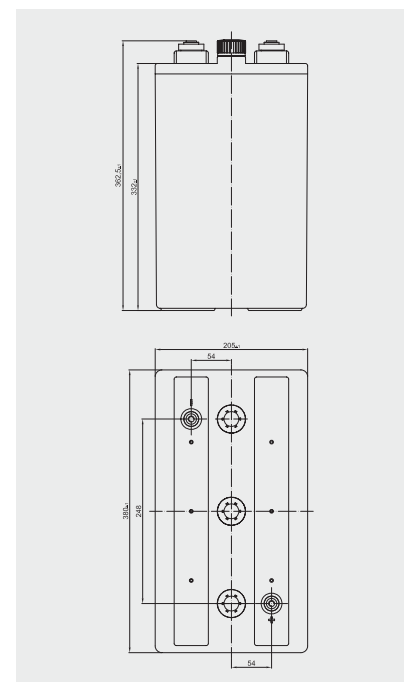




# OPzS Battery 6V 5 OPzS 250

## Technical Characteristics

Battery Cell Capacity (Ah), C10 (1,8V/cell, 20°C)	250
Plate Capacity (Ah), C10 (1,8V/cell, 20°C)	50
Number of plates (+) per cell	5
Content in Antimony of positive plates	1.6%
Nominal voltage of battery cell (V)	6
Electrolyte density for fully charged state at 25°C (gr/ml)	1.24
Floating voltage set point (V/cell)	2.23
Floating voltage tolerance from set point	+/-0.02V (2.21-2.25)
Single cell floating voltage tolerance from set point	+0.1V-0.05V (2.18-2.33)
Initial charge current (A)	25
End of charge Voltage (V/cell)	2.35 to 2.40
Recommended End of Discharge voltage for 10-hr rate (V/c)	1.8
Recommended End of Discharge voltage for 1-hr rate (V/c)	1.65
Short circuit current of the battery cell (A)	2664
Internal resistance of battery cell (mΩ/cell)	0.78
Tolerance in cycle for 80% discharge	1000
Self-discharge rate per month	<2.5%
Efficiency factor KWh	85%
Efficiency factor Ah	95%
Dimensions of battery cell in mm (LxWxH)	380x205x362.5
Weight of battery cell:	
• Without electrolyte (Kg)	43.5
• With electrolyte (Kg)	60.9
Type and number of poles	M10 / 2



**EPS Electric Power Systems GmbH**  
**Erlengasse 540**  
**A-3034 Maria Anzbach Austria**  
**Tel. +43 (0) 2772 56150**  
**Fax +43 (0) 2772 56150 20**  
**info@eps.at www.eps.at**  
**www.it-usv.at**